

PurgeNet™ Accessory: PNA-01 Machine Interface



© HFT®



DESCRIPTION

The PNA-01 interface is a PurgeNet™ machine interface, including a 4-20mA sender, relays and PSU, used for communicating the current oxygen reading from your PurgEye® Weld Purge Monitor® to another piece of equipment, such as a welding power source, through industry standard 4020A current loop and relay signals. The interface also includes a power supply to charge / power your PurgEye® from a standard 12-24V supply found in most industrial machines.

OUTPUT

For PurgEye® Weld Purge Monitors® with 10 to 1000 ppm range, the current output from the interface is linear, with 4mA representing 0 ppm and 20mA representing 1000 ppm, with a resolution better than 1 ppm.

For the PurgEye 600 Touch, with a measuring range of 10 to 250000 ppm, the current output is split into two linear output ranges, as follow:

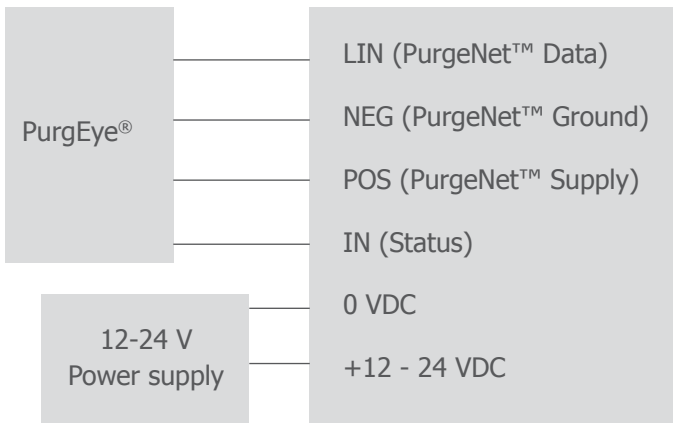
PurgEye® 600 Touch	Current Output	Resolution
0 - 1000 ppm	4mA - 12mA	< 1 ppm
1000 - 250000 ppm	12mA - 20mA	~ 100 ppm

STATUS LIGHT

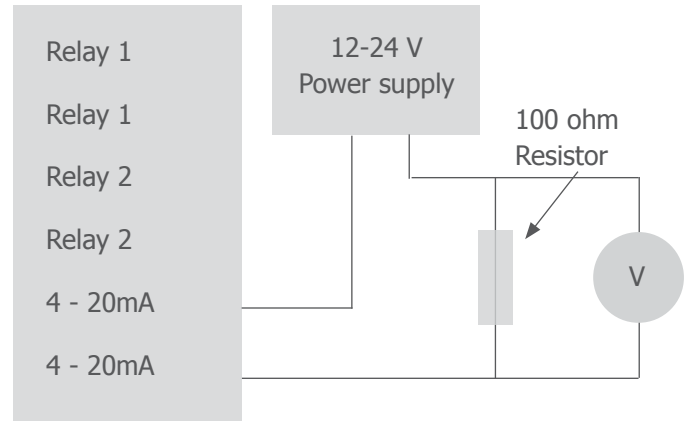
Slow flash	PNA-01 is correctly powered and receiving valid data from your PurgEye®.
On	PNA-01 is correctly powered but no data is being received from your PurgEye®.
Off	The PNA-01 is not powered, ensure the current loop and supply connections are correctly configured, see 'Connections' below.

CONNECTIONS

The basic connections required to get the module working are shown below (the power supply is optional for battery powered models). The status input can be used to control the sample pump in your PurgEye®, use a volt-free contact to connect the 'IN' terminal to the '0 VDC' terminal to activate the input.



For voltage output using the 4-20mA output, connect as below;



HUNTINGDON FUSION TECHNIQUES ■ HFT

Other HFT® Weld Purging Products

- Argweld® Inflatable Tube Pipe & Pipeline Weld Purging Systems
- Argweld® PurgEye® Weld Purge Monitors®
- Argweld® Weld Purge Film® & Weld Purge Super Adhesive®
- Argweld® Weld Backing Tape™ & Weld Purge Tape™
- Argweld® Weld Trailing Shields®
- Argweld® Flexible Welding Enclosures®
- Argweld® Weld Purge Plugs™ & Orbital Welding Plugs
- Techweld® MultiStrike® Tungsten Electrodes
- Techweld® MultiStrike® Tungsten Electrode Grinder

Our HFT Pipestoppers® Division

- Nylon, Aluminium, Steel and Rubber Pipe Plugs and Inflatable Stoppers
- Freeze systems for making ice plugs up to 24"ø

Machine Interface PNA-01 LFT A41 02-11-17 ME